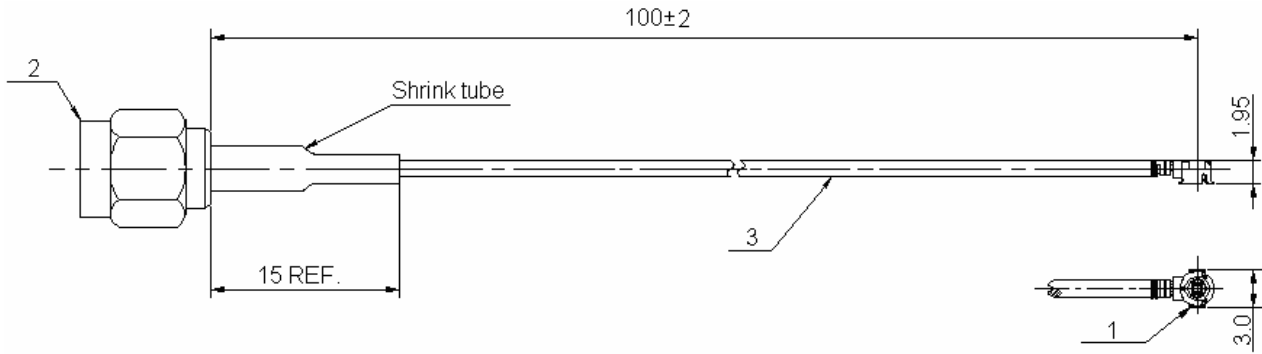


PLUG MML H2.5-PLUG SMA

R302.255.002

CABLE 1.33/50S-BR,LENGTH 10CM

Series : MML



All dimensions are in mm.

- * 1 * Connector A : **MML H2.5 PLUG (gold plated)**
- * 2 * Connector B : **SMA PLUG(gold plated)**
- * 3 * Cable : **1.33/50S BLACK**

ELECTRICAL CHARACTERISTICS

Impedance	50 Ω
Frequency	0-3 GHz
Operating temperature	-40/+90 ° C
VSWR	1.5 + 0,000 x F(GHz) Maxi
Insertion loss	0.3 √F(GHz) dB Maxi
Voltage rating	250 Veff Maxi
Dielectric withstanding	300 Veff mini
Insulation resistance	500 MΩ mini

SPECIFICATION

Weight	3,3000 g
Cable retention	19.6 N mini
Mating life	30 Cycles
Others :	

